

Häny Mixing and Injection Technology

Grout Pump ZMP 725



Extremely compact and low-wear plunger pump for pumping suspensions with a low W/C ratio and mortar with sand content. Suitable for all injection work and for pumping backfilling mortar for segment lining of tunnels.

HÄNY
Mixing and Injection Technology

Grout Pump

ZMP 725

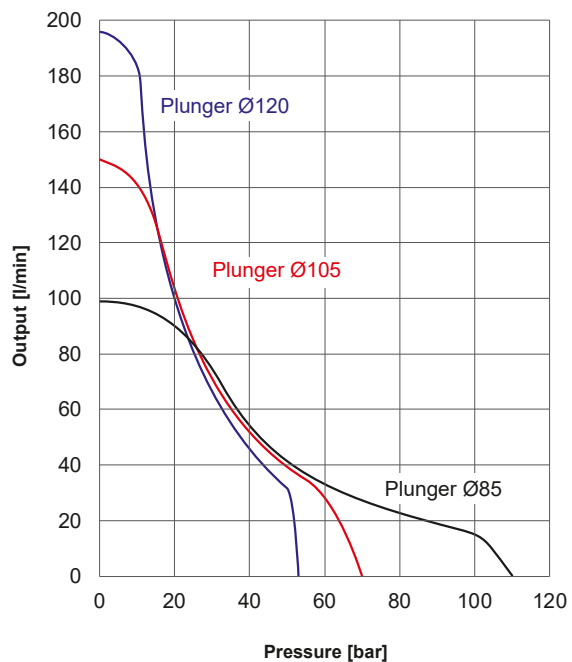
Key features

- ▶ Extremely compact vertical injection pump for space-saving installation
- ▶ Infinitely variable limitation of injection pressure and delivery rate
- ▶ High reliability and low-maintenance operation with good accessibility to the wear parts
- ▶ Fast suction stroke to prevent clogging by flushing the valves
- ▶ Cooling water connection for continuous operation and high ambient temperatures

Typical applications

- ▶ Injection of anchors, soil nails, and tension cables, as well as for sleeve pipes, rock, and contact injections
- ▶ Pre- and post-injections, pumping of bentonite suspensions for pipe and microtunnel driving and filling of pea gravel

Pump performance



Grout pump

Plunger Ø:	85	105	120 mm
Capacity ¹ :	5.9	9	11.7 m ³ /h
Max. pressure:	100	68	50 bar
Min. pressure:	5	4	3 bar
Volume per stroke ² :	1.4	2.1	2.8 l
Max. aggregate size:	8		mm
Hydraulic tank:	140		l
Pump module:	double		
Cooling water flow rate:	5–6		l/min
Cooling water connection:	½"		BSP
Pressure connection:	2"		BSP
Suction connection:	2" / 2½"		BSP

Included as standard

- Manual pressure and flow control
- Oil level, temperature, and filter contamination indicator

¹ Water to cement ratio = 1

² Filling ratio = 100%

Control

PLC
 Lockable main switch, emergency stop
 Pump ON-OFF

Optional

- Low pressure control valve
- Plunger unit (85, 105 or 120 mm)
- Remote control
- Data logging for pressure and flow rate



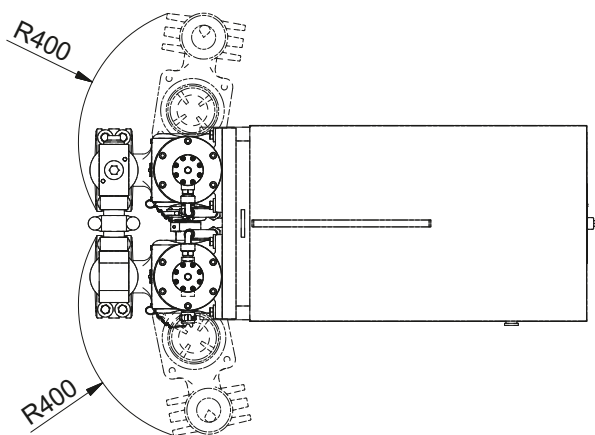
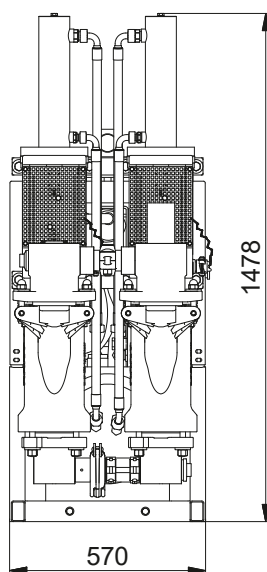
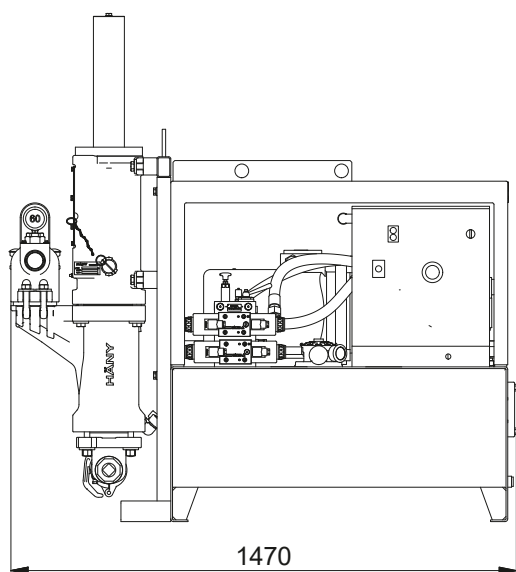
Electrical data

Voltage:	3x 400/460
Frequency:	50 / 60 Hz
Nominal power:	9.2 / 10.5 kW

Weight and dimensions

Approx. weight:	820 kg
Width:	570 mm
Height:	1,478 mm
Length:	1,470 mm

Construction and dimensions



Document No.: PM2-102050.00/10.18. Legal Notice © Copyright 2018, Häny AG, Jona / Switzerland. Any unauthorized use or copying of the contents or any part thereof is prohibited. Illustrations and photos may show equipment with optional extras. No warranty is made regarding specifications or otherwise. Specifications and equipment are subject to change without notice.



HÄNY

Mixing and Injection Technology

Häny Austria GmbH | Packerstraße 133a | AT-8561 Söding - St. Johann
Tel. +43 (0) 3137/46 450 | office@haeny.com | www.haeny.at